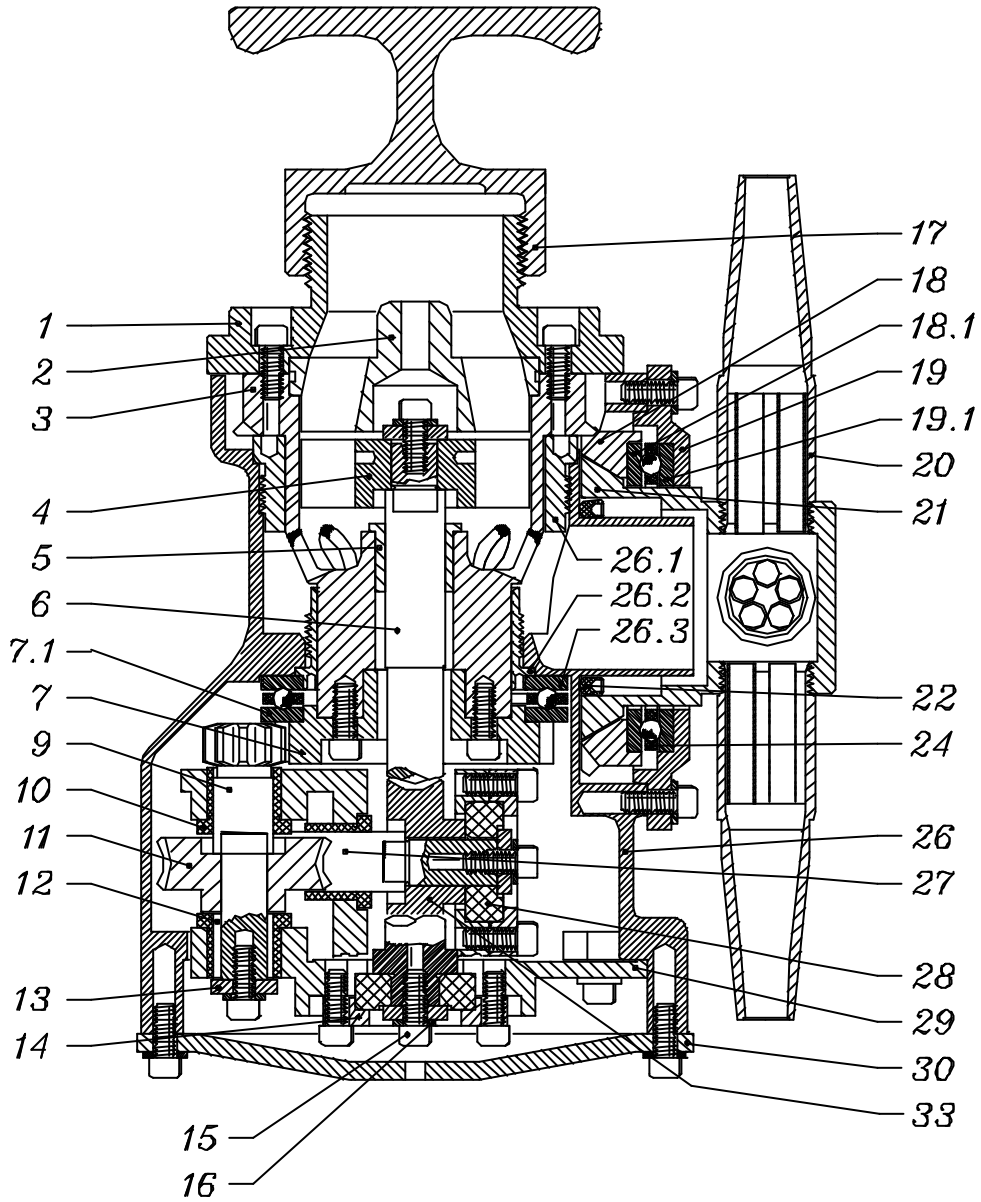


Cross Sectional Drawing, Toftejorg TZ-67



Reference List of Parts, Toftejorg TZ-67

Pos.	Ref.No.	No./ unit	Description	Material	Remarks
1	TE21B500	1	Nipple 1½" BSP	AISI 316L	Spare part
	TE21B501	1	Nipple 1½" NPT	AISI 316L	Spare part
2	TE703	1	Guide 100%	AISI 316L	Spare part
	TE803-0	1	Guide ring 0%	AISI 316L	Spare part
3	TE21B526	1	Stem	AISI 316L	Spare part
4	TE705	1	Impeller 100%	AISI 316L	Spare part
5	TE21A525	1	Main bush	PEEK	Wear part
6	TE411K	1	Turbine shaft	AISI 316L	Wear part
7	TE712-13	1	Gear wheel w. ball race	AISI 316L	Spare part
7.1	TE826-1	1	Ball race	AISI 316L	Wear part
9	TE814	1	Pinion	AISI 316L	Spare part
10	TE21A585	3	Collar bush	PEEK	Wear part
11+33	TE21A367	1	Worm wheel w. reinforcem.	PEEK	Wear part
12	TE817	1	Journal	AISI 316L	Spare part
13	TE719A	4	Washer	AISI 316L	Spare part
14	TE731	2	Bearing cover	AISI 316L	Spare part
15	TE118	38	Screw	A4	Spare part
16	TE156	18	Spring washer	A4	Spare part
17	TE801A	1	Handle	Bronze	Spare part
18	TE722S	1	Bevel gear w. ball race	AISI 316L	Spare part
18.1	TE826-1	1	Ball race	AISI 316L	Wear part
19	TE21B340	1	Hub cover w. ball race	AISI 316L	Spare part
19.1	TE826-1	1	Ball race	AISI 316L	Wear part
20	TE50A006	4	Nozzle, ø6 mm	AISI 316L	Spare part
	TE50A007	4	Nozzle, ø7 mm	AISI 316L	Spare part
	TE50A008	4	Nozzle, ø8 mm	AISI 316L	Spare part
	TE50A010	2	Nozzle, ø10 mm	AISI 316L	Spare part
20.1	TE50A000	2	Plug	AISI 316L	Spare part
21	TE21C536	1	Hub	AISI 316L	Spare part
22	TE21B549	1	Lip seal	ACO212CF	Wear part
24	TE21A380	2	Ball retainer w. balls	Tefzel200/AISI316	Wear part
26	TE727Z4	1	Body	AISI 316L	Not available
26.1	TE21B520	1	Main collar upper	PEEK	Wear part
26.2	TE21B521	1	Main collar lower	PEEK	Wear part
26.3	TE826-1	1	Ball race	AISI 316L	Wear part
27	TE828Z	1	Horizontal shaft	AISI 316L	Wear part
28	TE21A570	2	Slide bearing	PEEK	Wear part
29	TE730	1	Gear frame	AISI 316L	Spare part
30	TE733-5	1	Bottom cover	AISI 316L	Spare part
33	TE21A367	1	Worm wheel w. reinforcem.	PEEK	Wear part

Standard Spare Part Kit for Toftejorg TZ-67, Article No. TE21B297

For machines delivered after October 1, 1993

Part No.	Description	No.
TE21A367	Worm wheel w. reinforcement	2 pcs.
TE21A525	Main bush	1 pcs.
TE21A570	Slide bearing	2 pcs.
TE21A585	Collar bush	3 pcs.
TE21B549	Lip seal	1 pcs.

Standard Spare Part Kit for Toftejorg TZ-67, Article No. TE21B299

For machines delivered before October 1, 1993

Part No.	Description	No.
TE21A367	Worm wheel w. reinforcement	2 pcs.
TE21A570	Slide bearing	2 pcs.
TE21A585	Collar bush	3 pcs.
TE21B375	Main bush	1 pcs.

Service Kit for Toftejorg TZ-67, Article No. TE21C285

Machines delivered January 1, 1986 – June 30, 1993

Part No.	Description	No.
TE21B328	Stem, complete	1 pcs.
TE21C536	4 Nozzle hub	1 pcs.
TE21B549	Lip seal	1 pcs.
TE21A525	Main bush, PEEK	1 pcs.
TE21A570	Slide bearing, PEEK	2 pcs.
TE21A367	Worm wheel, PEEK	2 pcs.
TE411K	Turbine shaft	1 pcs.
TE826-1	Ball race	4 pcs.
TE21A380	Ball retainer w. balls	2 pcs.
TE21A585	Collar bush, PEEK	3 pcs.
TE828Z	Horizontal shaft	1 pcs.

Service Kit for Toftejorg TZ-67, Article No. TE21C286

Machines delivered after July 1, 1993

Part No.	Description	No.
TE21A525	Main bush, PEEK	1 pcs.
TE21A570	Slide bearing, PEEK	2 pcs.
TE21A367	Worm wheel, PEEK	2 pcs.
TE411K	Turbine shaft	1 pcs.
TE826-1	Ball race	4 pcs.
TE21A380	Ball retainer w. balls	2 pcs.
TE21A585	Collar bush, PEEK	3 pcs.
TE828Z	Horizontal shaft	1 pcs.
TE21B549	Lip seal	1 pcs.

Standard Tool kit for Toftejorg TZ-67, Article no. TE81B050

Tool No.	Description	No.
TE134	Hex Key for Screw	1 pcs.
TE134A	Hex Screwdriver for Screw	2 pcs.