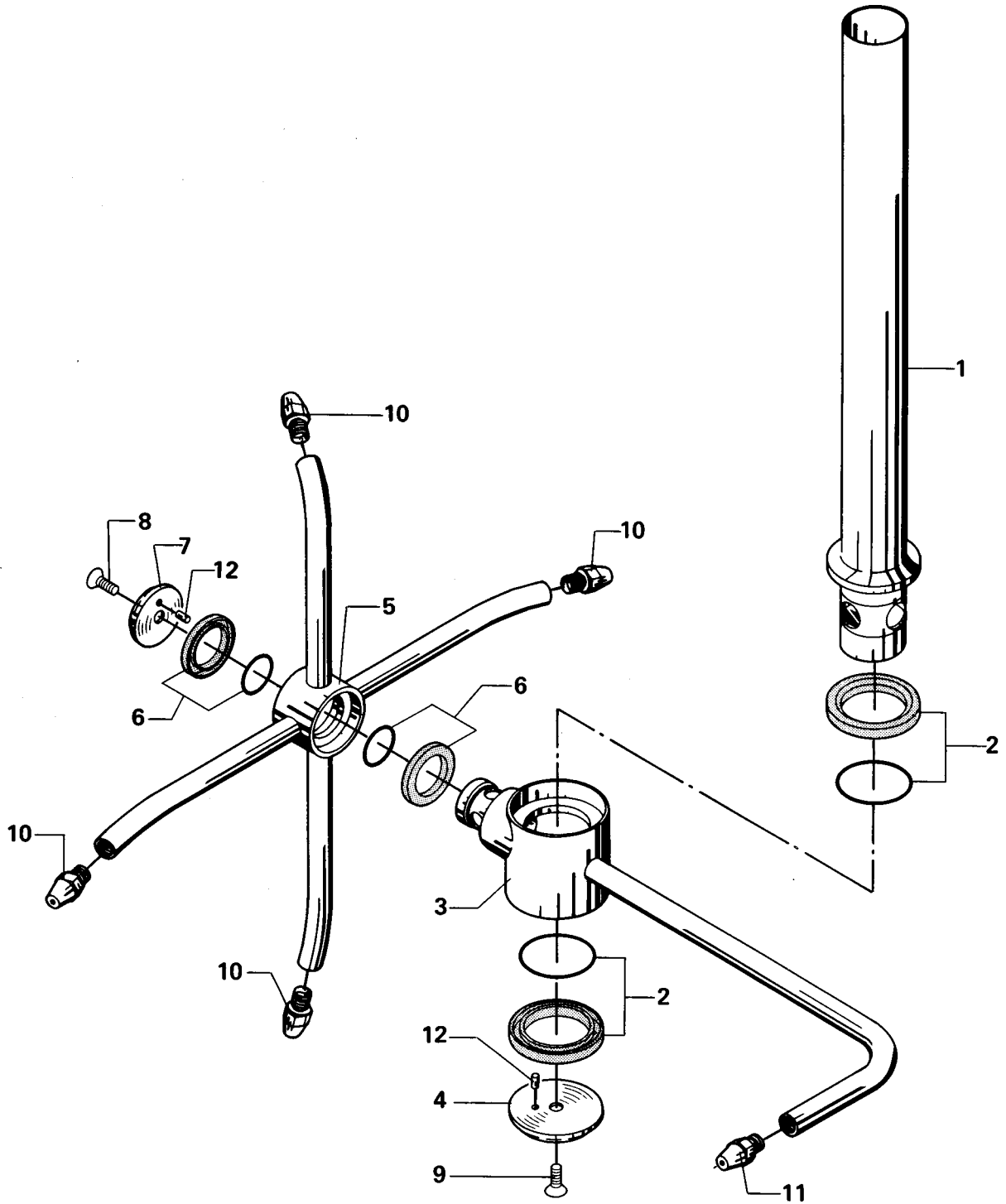


# Cleaning Turbine Type LKTB

4



# Cleaning Turbine Type LKTB

AISI 304

Pos.	Qty.	Denomination	31618-0044-2
1	1	Admission pipe .....	9611-71-057-2
2 $\Delta$	2	Seal ring .....	31618-0025-1
3	1	Cleaning turbine house .....	9611-71-075-0
4	1	End cover .....	9611-71-068-0
5	1	Rotor .....	31618-0030-1
6 $\Delta$	2	Seal ring .....	31618-0026-1
7	1	Rotor cover .....	9611-71-071-0
8	1	Screw .....	9611-99-1148
9	1	Screw .....	9611-99-1149
10	4	Nozzel .....	31618-0039-1
11	1	Nozzle .....	31618-0040-1
12	2	Pin .....	9611-71-067-0
$\Delta$		<b>Service kit.....</b>	<b>9611-92-5001</b>

Parts marked with  $\Delta$  are included in the **Service kit**.